

**Spare parts list
(5.970-111.0) Spare parts list SC 1702**

DE HINWEISE

Weitere Sprachen:

Diese Ersatzteilliste ist in weiteren Sprachen erhältlich. Sie erhalten diese unter www.kaercher.com im Bereich Service.
Die Schreibweise der Teilenummer, z.B. 75456380, entspricht der Teilenummer 7.545-638.0.

Mengenangaben:

Die Mengenangaben in der Ersatzteilliste entsprechen den in der Baugruppe verbauten Stückzahlen der Bauteile.

Meterware:

Ersatzteile welche als Meterware geliefert werden sind auf Einbaulänge selbst zu kürzen. Die Stückzahlen sind als Mindestbestellmenge =1m angegeben und müssen je nach Bedarf auf weitere volle Meterzahlen erhöht werden.

Versionen/ Werknummern:

Sind Versionen oder Werknummern in der Ersatzteilliste angegeben, ist anhand dieser vor Bestellung zu prüfen, welches Bauteil für ihr Gerät verwendet werden muss.

Lackierte Teile:

Bei Bestellungen von lackierten Teilen welche in der Ersatzteilliste nicht in verschiedenen Farben ausgewiesen sind, ist zusätzlich die Farbnummer oder Farbe mit anzugeben.

Technische Änderungen:

Technische Änderungen sowie das Recht der ausschließlichen Auswertung unseres geistigen Eigentums behalten wir uns vor.

EN INSTRUCTIONS

Other languages:

This list of spare parts is also available in other languages. You can get this list from www.kaercher.com in the Service division.
The designation of the part number e.g. 75456380 is equal to 7.545-638.0.

Quantity details:

The quantity details in the spare parts list correspond to the number of pieces of the component installed in the assembly group.

Piece goods:

Spare parts that are sold as piece goods are to be cut to the desired length. The quantities have been indicated as minimum order quantity =1m and must be rounded off to the full meter figure depending on your requirements.

Version/ Plant numbers:

If version or plant numbers are mentioned in the spare parts list, then use the same to check before ordering which spare part needs to be used for your appliance.

Painted parts:

While ordering painted parts that are not mentioned in the spare parts list in their colour variations, please mention the colour number or the colour you require.

Technical changes:

We reserve the right to make technical changes as well as the right to exclusive use of our intellectual property.

FR REMARQUES

Autres langues:

Cette liste de pièces de rechange est disponible en autres langues. Cela est disponible sous www.kaercher.com dans le menu Service.
La désignation du numéro de pièce, par ex. 75456380, correspond au numéro de pièce 7.545-638.0.

Indications de quantité:

Les indications de quantité dans la liste de pièces de rechange correspondre aux nombres de pièces des composant utilisées dans la construction.

Matériel au mètre:

Les pièces de rechange qui sont livrées au mètre doivent être raccourcies à longueur souhaitée par l'acheteur même. Les nombres des pièces sont indiquées en quantité de commande minimale = 1m et doivent être augmentés selon le besoin à une chiffre de mètre complète.

Versions/ Numéros d'usine:

Lorsqu'il sont indiquées des versions ou des numéros d'usine dans la liste de pièces de rechange, vous devez vérifier que composant doit être utilisé pour votre appareil.

Pièces laquées:

Pour commander des pièces laquées, où les différentes couleurs ne sont pas indiquées dans la liste des pièces de rechange, vous devez indiquer en plus le numéro de la couleur ou seulement la couleur.

Modifications techniques:

Nous nous réservons la possibilité des modifications techniques ainsi le droit d'exploitation exclusive de notre propriété intellectuelle.

IT AVVERTENZE

Altre lingue:

Il presente elenco di parti di ricambio è disponibile sul nostro sito Web anche in altre lingue: sotto www.kaercher.com alla voce "Service".

L'indicazione del codice pezzo, ad es. 75456380, corrisponde al codice pezzo 7.545-638.0

Indicazioni di quantità:

Le indicazioni di quantità riportate dall'elenco "parti di ricambio" corrispondono al numero delle singole componenti contenute nella rispettiva unità.

Merce a metro:

Le parti di ricambio fornite come "merce a metro" devono venire in seguito accorciate alla lunghezza necessaria per il montaggio. La quantità unitaria è indicata come "quantità minima di ordinazione = 1m" e deve all'occorrenza venire moltiplicata per il numero intero di metri necessari.

Versioni / Numeri di fabbricazione:

Quando l'elenco "parti di ricambio" riporta diverse versioni o numeri di fabbricazione, confrontare la versione o il numero di fabbricazione del ricambio desiderato con quelle/i presenti nell'elenco e indicarla/o al momento dell'ordinazione.

Parti di ricambio verniciate:

Nel caso di ricambi verniciati, se l'elenco parti di ricambio non ne riporta espressamente i diversi colori, al momento dell'ordinazione è necessario indicare anche il colore o il numero del colore desiderato.

Modifiche tecniche:

Ci riserviamo il diritto di apportare modifiche tecniche così come il diritto di utilizzo esclusivo della nostra proprietà intellettuale.

ES INDICACIONES

Otros idiomas:

La lista de piezas de repuesto se puede adquirir en otros idiomas. La puede adquirir en www.kaercher.com en el área de servicios.

La notación de los números de las piezas, p.ej. 75456380 corresponde al número de pieza 7.545-638.0.

Cantidades:

Las indicaciones de cantidades de la lista de piezas de repuesto corresponden al número de piezas montadas en el componente.

Mercancía por metros:

Las piezas de repuesto que se suministran por metros se pueden cortar al largo deseado. La unidad mínima de pedido es de = 1 m y el número de metros completos se puede aumentar según necesidad.

Versiones/números de fábrica:

Si se indica la versión o número de fábrica en la lista de piezas de repuesto, se debe comprobar en ella la pieza a usar para su aparato antes de realizar el pedido.

Piezas lacadas:

Al realizar pedidos de piezas lacadas que no estén indicadas en los diferentes colores en la lista de piezas de repuesto, se debe indicar también la referencia del color o el color.

Modificaciones técnicas:

Reservados los derechos de realizar modificaciones técnicas y aprovechar nuestra propiedad intelectual.

PL WSKAZÓWKI

Pozostałe języki:

Ta lista części zamiennych jest dostępna w także w innych językach. Mogą ją Państwo pobrać ze strony www.kaercher.com w dziale Serwis.

Sposób zapisywania numeru części, np. 75456380, odpowiada numerowi części 7.545-638.0.

Dane ilości:

Dane ilości podane w liście części zamiennych odpowiadają liczbie sztuk podzespołów tworzących dany moduł.

Towar sprzedawany na metry:

Części zamienne dostarczane jako towar sprzedawany na metry po zamontowaniu należy samodzielnie skrócić do potrzebnej długości. Liczba sztuk podana jest jako minimalna ilość zamówienia = 1m i w zależności od potrzeb zwiększa się ją o kolejne pełne metry.

Wersje/ Numer zakładu:

Jeżeli w liście części zamiennych podane są wersje lub numery zakładu, przed zamówieniem na ich podstawie należy sprawdzić, który podzespół stosuje się w Państwa urządzeniu.

Części lakierowane:

W przypadku zamówień części lakierowanych, które w liście części zamiennych nie podano w wielu kolorach, należy dodatkowo zaznaczyć nr koloru lub kolor.

Zmiany techniczne:

Zastrzegamy sobie prawo do zmian technicznych oraz wyłącznego wykorzystywania naszej własności intelektualnej.

RU УКАЗАНИЯ:

Другие языки:

Данный список запасных частей также доступен на других языках. Вы найдете его на сайте www.kaercher.com в разделе Service
Маркировка номера детали, например, 75456380, соответствует номеру детали 7.545-638.0.

Указание количества:

Количественные данные в списке запасных частей соответствуют числу компонентов, входящих в состав узлов.

Товар, продаваемый на метры:

Запасные части, продающиеся на метры, необходимо обрезать до нужной длины. Число изделий указано в виде минимального объема заказа = 1м и их количество можно округлить до требуемого по мере необходимости.

Варианты исполнения/заводские номера:

Если варианты исполнения или заводские номера указаны в списке запасных частей, то перед заказом необходимо проверить, какая деталь подходит для вашего устройства.

Лакированные детали:

При заказе лакированных деталей, варианты расцветки которых не указаны в списке запасных частей, необходимо дополнительно указать номер цвета или необходимый для вас цвет.

Технические изменения:

Мы оставляем за собой право на технические изменения, а также право на исключительное использование нашей интеллектуальной собственности.

Table of contents

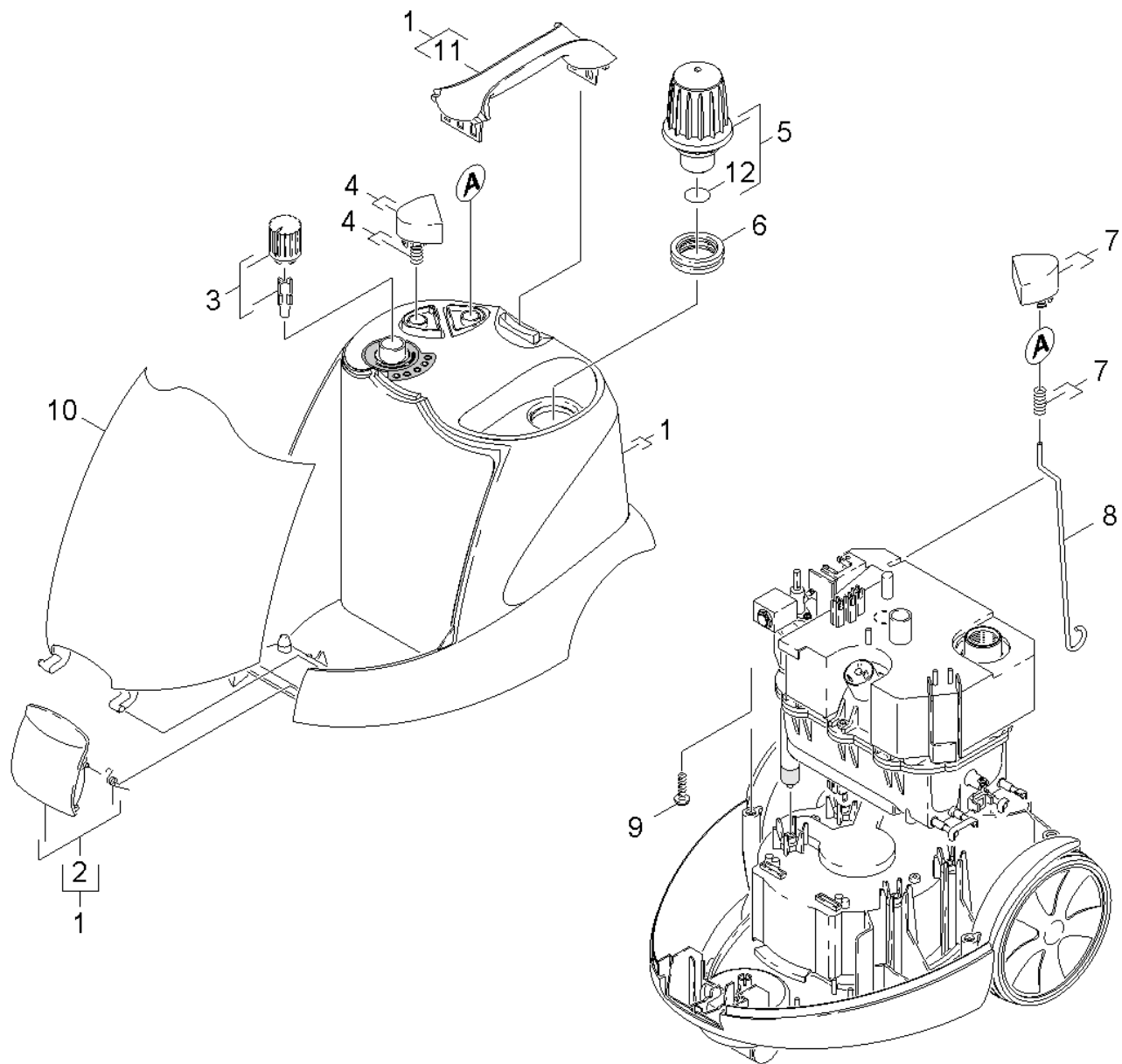
| | |
|---|----|
| Spare parts list SC 1702 (5.970-111.0) | 6 |
| 10 Individual parts..... | 7 |
| 11 Appliance top part..... | 8 |
| 12 Appliance bottom part..... | 10 |
| 13 Appliance bottom part..... | 12 |
| 20 Steam drum | 14 |
| 30 Extension and hose | 16 |
| 40 Accessories..... | 18 |
| 4 Dirt blaster black steamer (4.767-059.0)..... | 20 |
| 11 Spare parts list dirt blaster steamer..... | 21 |
| 10 Dirt blaster | 22 |
| 5 Point jet nozzle complete PA (4.130-021.0)..... | 24 |
| 7 POWER NOZZLE (2.884-282.0) | 26 |
| 50 Smoothing iron..... | 28 |
| 51 Smoothing iron..... | 29 |
| 52 Smoothing iron..... | 31 |
| 53 Smoothing iron..... | 33 |

Spare parts list SC 1702 (5.970-111.0)

| Pos | Name | Qty. | Unit | from ser.nr. | up to ser.nr. |
|------------|--------------------|-------------|-------------|---------------------|----------------------|
| 10 | Individual parts | 1.000 | ST | 0000000000 | 0000000000 |
| 20 | Steam drum | 1.000 | ST | 0000000000 | 0000000000 |
| 30 | Extension and hose | 1.000 | ST | 0000000000 | 0000000000 |
| 40 | Accessories | 1.000 | ST | 0000000000 | 0000000000 |
| 50 | Smoothing iron | 1.000 | ST | 0000000000 | 0000000000 |
| 53 | Smoothing iron | 1.000 | ST | | |

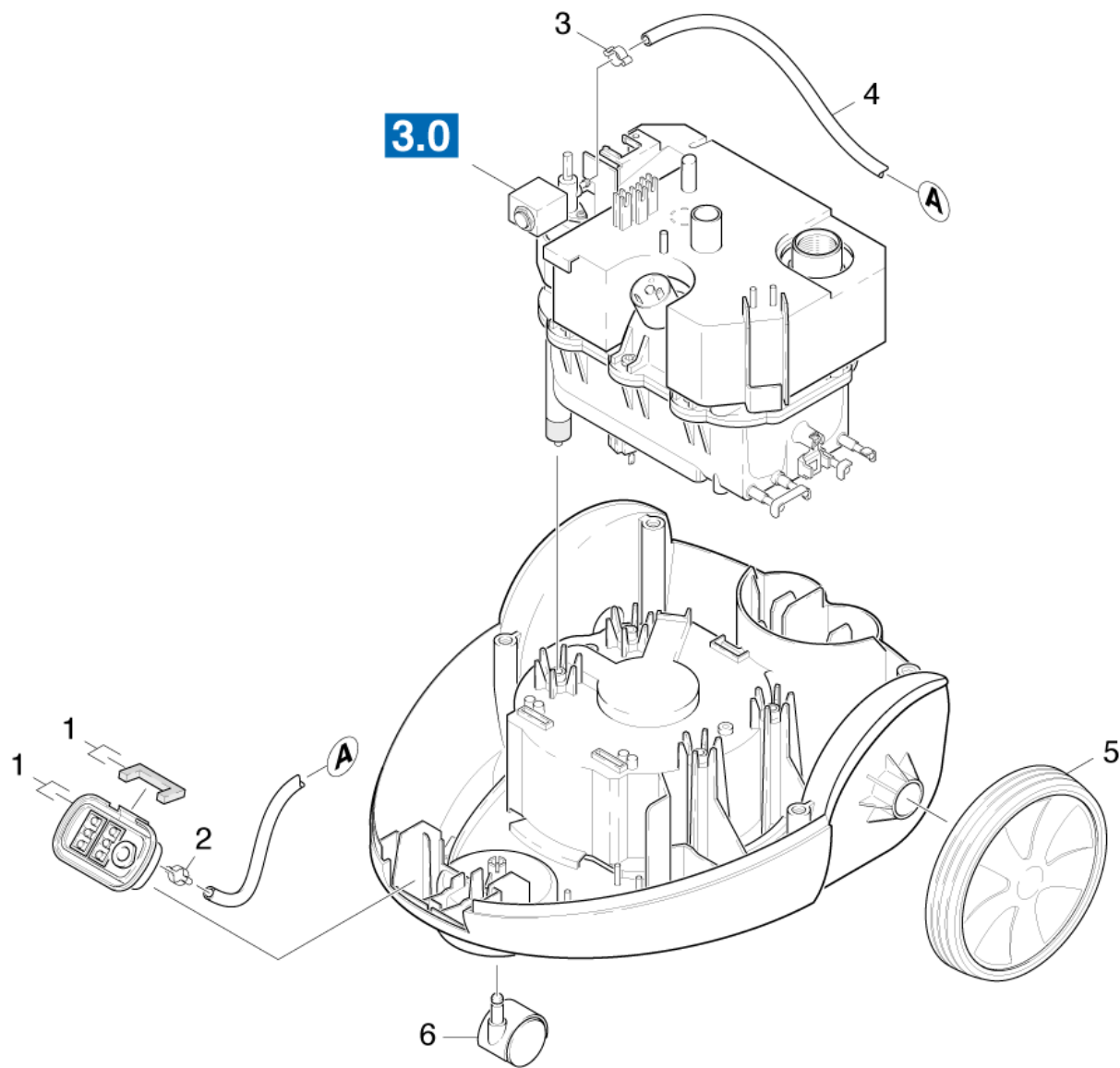
10 Individual parts

| Pos | Name | Qty. | Unit | from ser.nr. | up to ser.nr. |
|-----|-----------------------|-------|------|--------------|---------------|
| 11 | Appliance top part | 1.000 | ST | 0000000000 | 0000000000 |
| 12 | Appliance bottom part | 1.000 | ST | 0000000000 | 0000000000 |
| 13 | Appliance bottom part | 1.000 | ST | 0000000000 | 0000000000 |



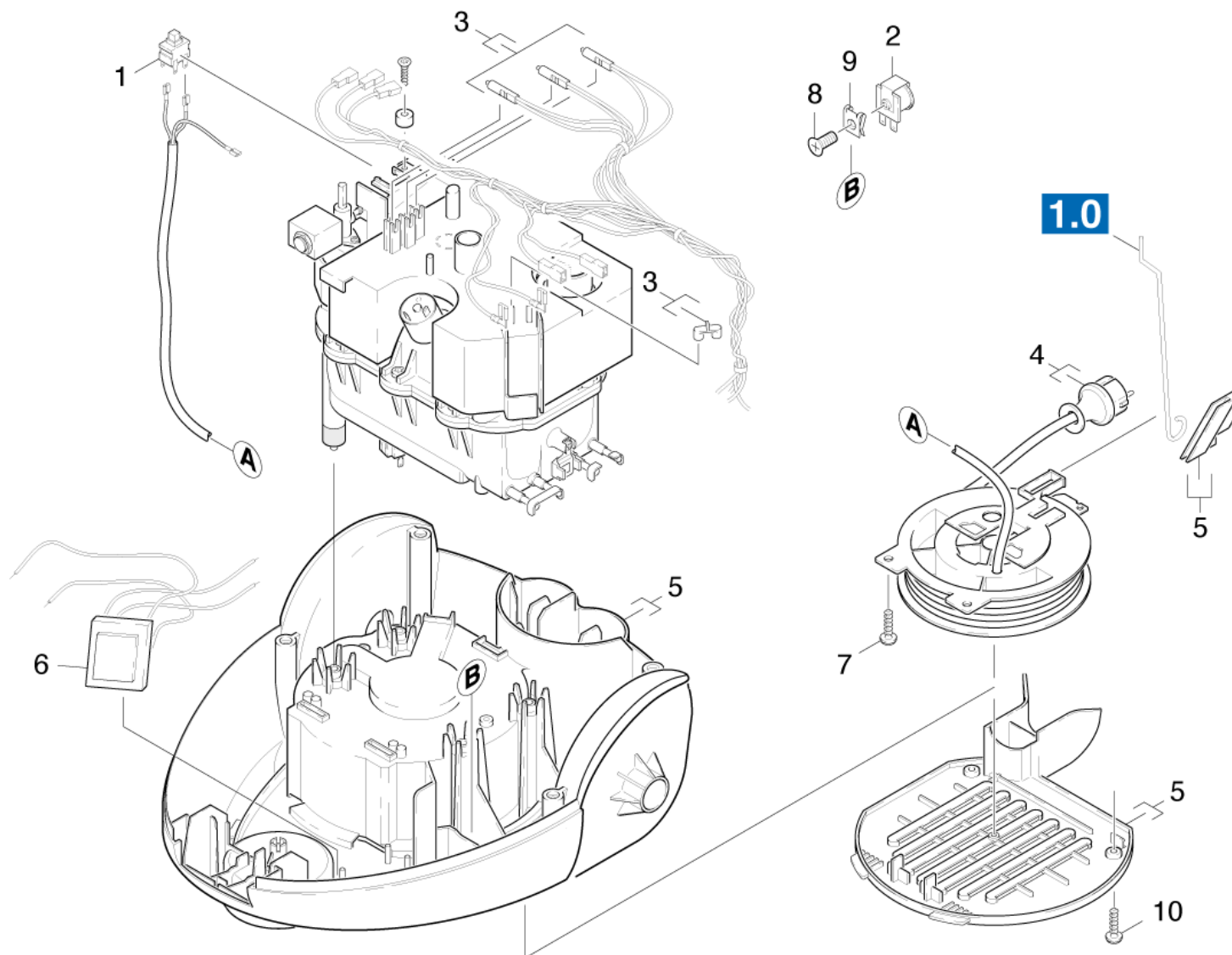
11 Appliance top part

| ET/VT (spare/wear parts) | Pos | Material # | Name | Qty. | Unit | from ser.nr. | up to ser.nr. |
|--------------------------|-----|-------------|--|-------|------|--------------|---------------|
| | 1 | 4.060-547.0 | Housing kit SC 1702 | 1.000 | ST | 0000000000 | 0000000000 |
| | 2 | 4.063-757.0 | Covering cap complete | 1.000 | ST | 0000000000 | 0000000000 |
| | 3 | 4.321-163.0 | Button complete only for replacement | 1.000 | ST | 0000000000 | 0000000000 |
| | 4 | 4.324-014.0 | Pushbutton completely | 1.000 | ST | 0000000000 | 0000000000 |
| X | 5 | 4.590-093.0 | Safety lock 3/4"-0,7MPa (7bar) | 1.000 | ST | 0000000000 | 0000000000 |
| | 6 | 5.363-380.0 | Seal | 1.000 | ST | 0000000000 | 0000000000 |
| | 7 | 4.324-013.0 | Pushbutton complete | 1.000 | ST | 0000000000 | 0000000000 |
| | 8 | 5.335-037.0 | Leverage pivot point cable take-up stand | 1.000 | ST | 0000000000 | 0000000000 |
| | 9 | 7.303-108.0 | Screw 5x20 -10.9-R2R (In6Rd) | 6.000 | ST | 0000000000 | 0000000000 |
| | 10 | 4.063-759.0 | Cover accessory shed | 1.000 | ST | 0000000000 | 0000000000 |
| | 11 | 5.321-700.0 | Handhold | 1.000 | ST | 0000000000 | 0000000000 |
| | 12 | 6.362-927.0 | O-Ring seal 21,89X 2,62 -EPDM | 1.000 | ST | | |



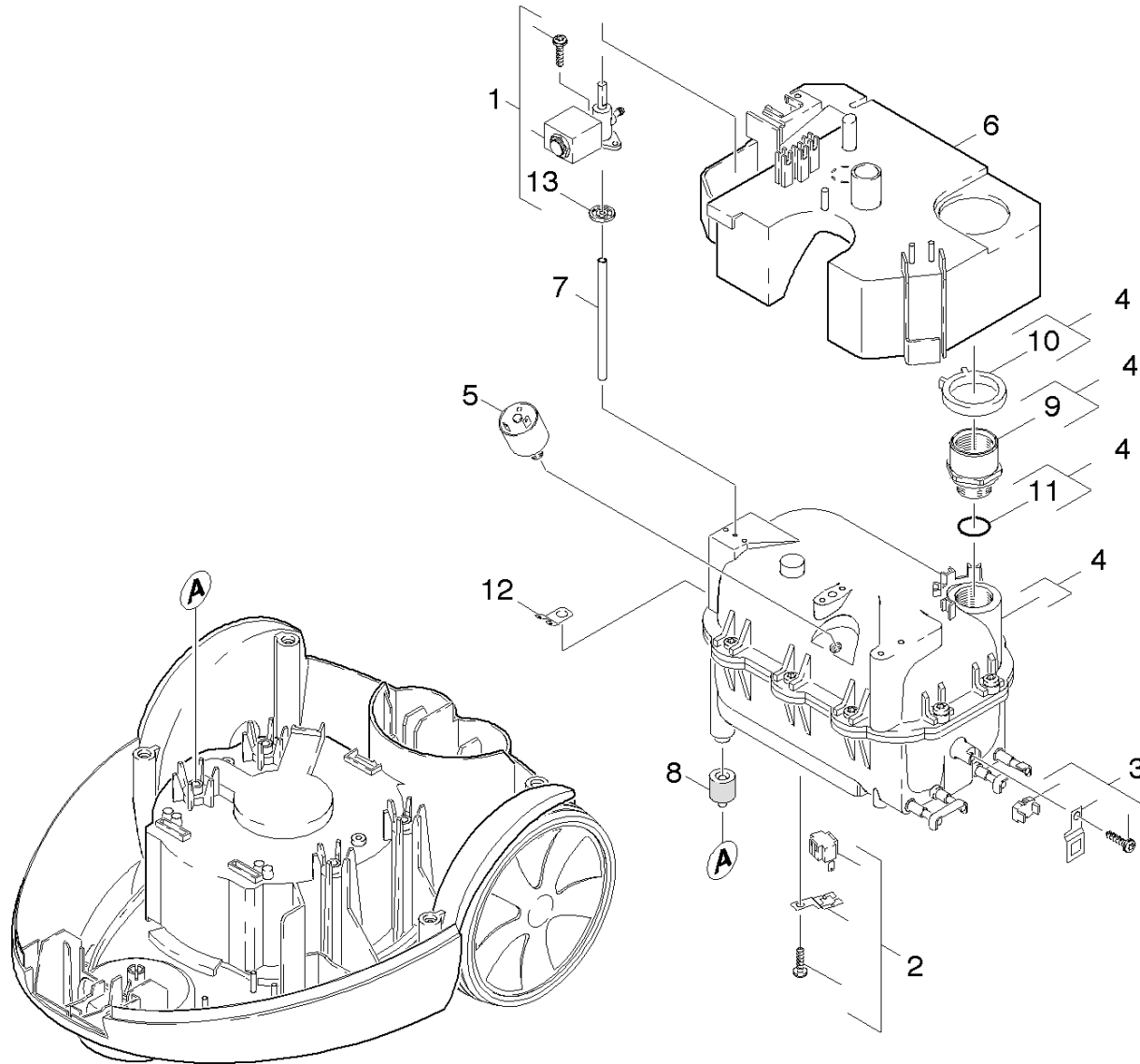
12 Appliance bottom part

| Pos | Material # | Name | Qty. | Unit | from ser.nr. | up to ser.nr. |
|-----|-------------|----------------------|-------|------|--------------|---------------|
| 1 | 4.030-130.0 | Plug socket complete | 1.000 | ST | 0000000000 | 0000000000 |
| 2 | 6.389-882.0 | Hose clip 8,5-10,0 | 1.000 | ST | 0000000000 | 0000000000 |
| 3 | 6.389-993.0 | Hose clip 7,5 - 9,0 | 1.000 | ST | 0000000000 | 0000000000 |
| 4 | 6.389-862.0 | Hose silicon DN4 | 1.000 | M | 0000000000 | 0000000000 |
| 5 | 5.515-190.0 | Wheel | 2.000 | ST | 0000000000 | 0000000000 |
| 6 | 6.435-857.0 | Castor | 1.000 | ST | 0000000000 | 0000000000 |



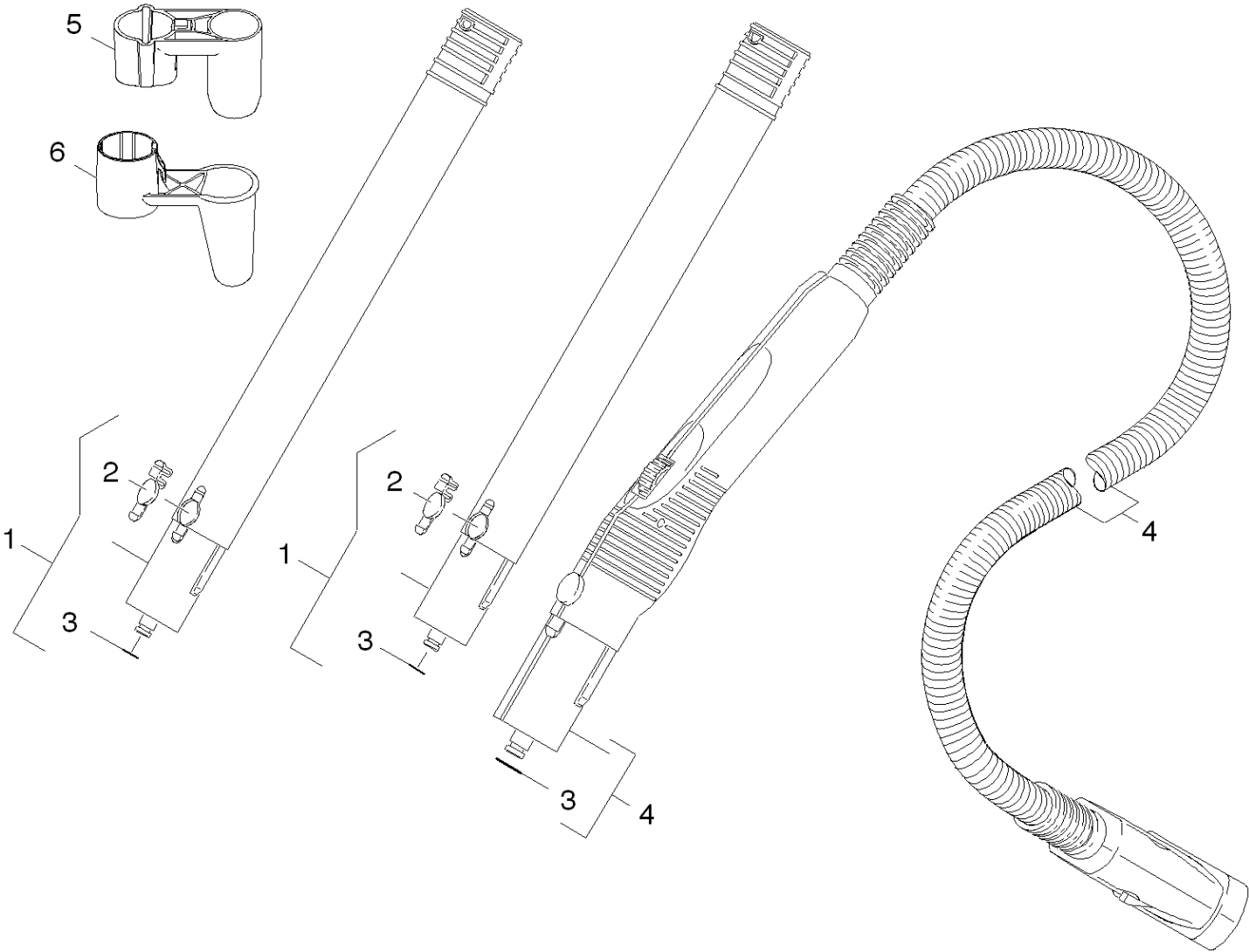
13 Appliance bottom part

| ET/VT (spare/wear parts) | Pos | Material # | Name | Qty. | Unit | from ser.nr. | up to ser.nr. | Footnote text |
|---|-----|-------------|--|-------|------|--------------|---------------|--------------------------------|
| X | 1 | 6.630-437.0 | Switch on/off | 1.000 | ST | 0000000000 | 0000000000 | |
| | 2 | 6.630-108.0 | Buzzer | 1.000 | ST | 0000000000 | 0000000000 | ORDER ACCORDING TO CONSUMPTION |
| Position text: / 1.439-101.0 bis up to jusq. 21481 / -102.0 bis up to jusq. 10269 / -110.0 bis up to jusq. 21829 / -112.0 bis up to jusq. 15749 / -114.0 bis up to jusq. 10299 / -115.0 bis up to jusq. 10899 | | | | | | | | |
| | 3 | | Stockpiling discontinued | 1.000 | ST | 0000000000 | 0000000000 | |
| | 4 | 6.650-093.0 | Cable up scooter *CH | 1.000 | ST | 0000000000 | 0000000000 | |
| Position text: / 1.439-102.0 / -111.0 / -113.0 | | | | | | | | |
| | 4 | 6.648-871.0 | Cable up scooter *GB | 1.000 | ST | 0000000000 | 0000000000 | |
| Position text: / 1.439-103.0 | | | | | | | | |
| | 4 | 6.649-138.0 | Cable up scooter | 1.000 | ST | 0000000000 | 0000000000 | |
| Position text: / 1.439-104.0 | | | | | | | | |
| | 4 | 6.648-800.0 | Cable up scooter | 1.000 | ST | 0000000000 | 0000000000 | |
| Position text: / 1.439-101.0 / -110.0 / -112.0 / -114.0 / -115.0 | | | | | | | | |
| | 5 | 4.060-543.0 | Housing bottom part only for replacement | 1.000 | ST | 0000000000 | 0000000000 | |
| | 6 | 6.622-184.0 | Transformer 10VA 230V | 1.000 | ST | 0000000000 | 0000000000 | |
| | 7 | 7.303-106.0 | Screw 4x12 -10.9-R2R (IN6RD) | 2.000 | ST | 0000000000 | 0000000000 | |
| | 8 | 7.305-036.0 | Countersunk screw M4x12 -A2-70-s (IN6RD) | 1.000 | ST | 0000000000 | 0000000000 | ORDER ACCORDING TO CONSUMPTION |
| | 9 | 6.310-083.0 | Putting nut M8 | 1.000 | ST | 0000000000 | 0000000000 | ORDER ACCORDING TO CONSUMPTION |
| | 10 | 6.303-318.0 | Screw 3,5x12-10.9-R2R (IN6RD) | 2.000 | ST | 0000000000 | 0000000000 | |



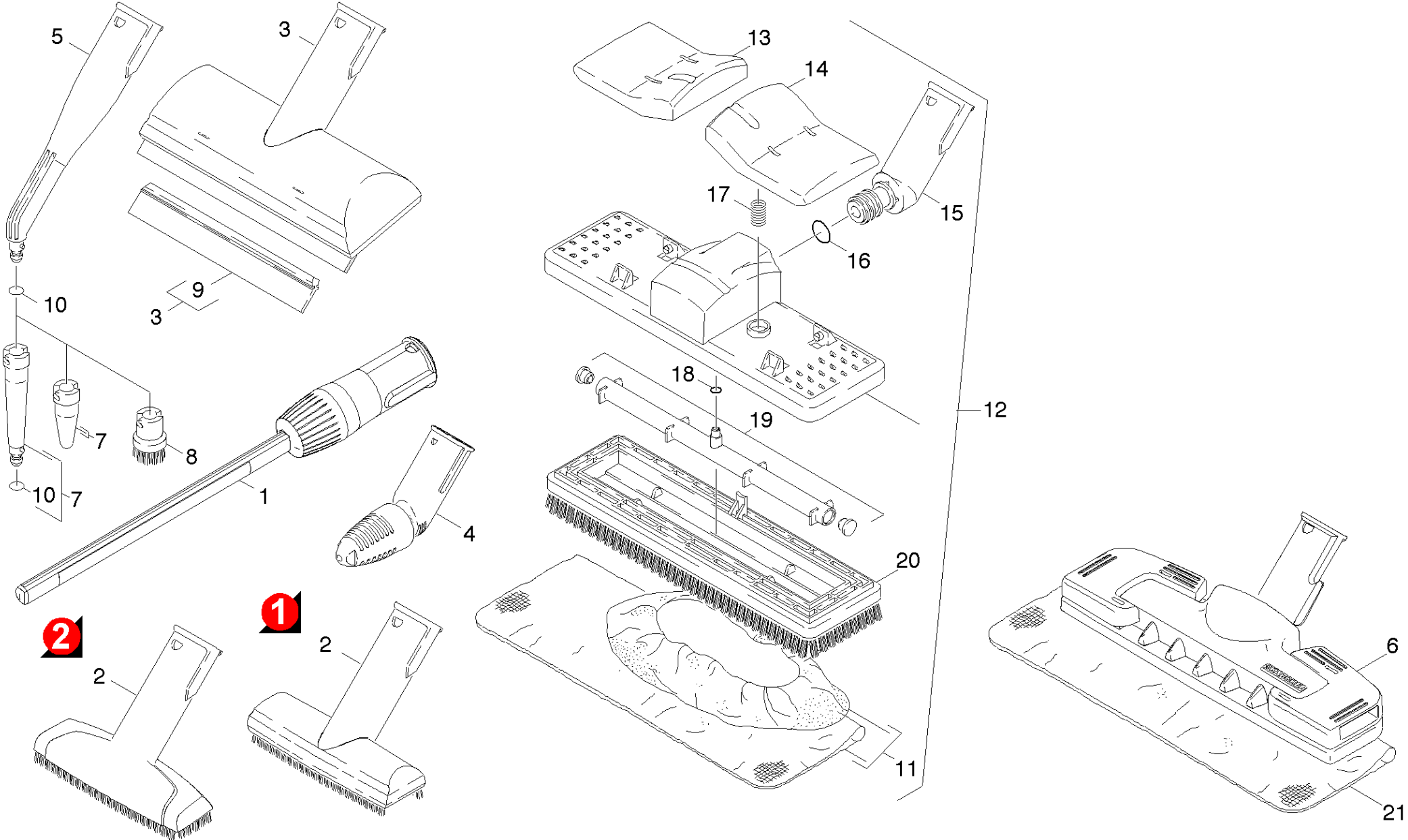
20 Steam drum

| Pos | Material # | Name | Qty. | Unit | from ser.nr. | up to ser.nr. |
|-----|-------------|--|-------|------|--------------|---------------|
| 1 | 4.743-015.0 | Solenoid valve complete only for replace | 1.000 | ST | 0000000000 | 0000000000 |
| 2 | 4.746-028.0 | Thermostat complete Wama | 1.000 | ST | 0000000000 | 0000000000 |
| 3 | 4.746-029.0 | Thermostat complete | 1.000 | ST | 0000000000 | 0000000000 |
| 4 | 4.070-480.0 | Boiler complete | 1.000 | ST | 0000000000 | 0000000000 |
| 5 | 6.413-284.0 | Pressure controller 0,4MPa | 1.000 | ST | 0000000000 | 0000000000 |
| 6 | 5.032-382.0 | Covering cap boiler | 1.000 | ST | 0000000000 | 0000000000 |
| 7 | 5.028-765.0 | Tube hotwater | 1.000 | ST | 0000000000 | 0000000000 |
| 8 | 5.767-006.0 | Rubber buffer | 4.000 | ST | 0000000000 | 0000000000 |
| 9 | 5.402-681.0 | Screw union | 1.000 | ST | 0000000000 | 0000000000 |
| 10 | 5.343-016.0 | Locking ring | 1.000 | ST | 0000000000 | 0000000000 |
| 11 | 6.363-002.0 | O-Ring seal 22,3X2,4 | 1.000 | ST | 0000000000 | 0000000000 |
| 12 | 6.651-519.0 | Tab | 1.000 | ST | 0000000000 | 0000000000 |
| 13 | 5.363-602.0 | Seal | 1.000 | ST | 0000000000 | 0000000000 |



30 Extension and hose

| Pos | Material # | Name | Qty. | Unit | from ser.nr. | up to ser.nr. |
|------------------------------|-------------|-----------------------|-------|------|--------------|---------------|
| 1 | 4.127-023.0 | Extension pipe | 2.000 | ST | 0000000000 | 0000000000 |
| 2 | 5.037-157.0 | Snap-fit pipe yellow | 2.000 | ST | 0000000000 | 0000000000 |
| 3 | 6.362-922.0 | O-Ring seal 8,73x1,78 | 4.000 | ST | 0000000000 | 0000000000 |
| 4 | 4.321-158.0 | Steam hose complete | 1.000 | ST | 0000000000 | 0000000000 |
| 5 | 5.032-381.0 | Parking nip | 1.000 | ST | 0000000000 | 0000000000 |
| Position text: / 4.127-019.0 | | | | | | |
| 6 | 5.032-756.0 | Parking nip | 1.000 | ST | | |
| Position text: / 4.127-023.0 | | | | | | |



40 Accessories

| ET/VT (spare/wear parts) | Pos | Material # | Name | Qty. | Unit | from ser.nr. | up to ser.nr. | Footnote text |
|---------------------------------------|-----|-------------|------------------------------|-------|------|--------------|---------------|---------------|
| X-X | 1 | 4.130-390.0 | Nozzle textil maintenance | 1.000 | ST | 0000000000 | 0000000000 | |
| Position text: / 1.439-116.0 / -117.0 | | | | | | | | |
| | 2 | 2.884-280.0 | Hand nozzle | 1.000 | ST | 0000000000 | 0000000000 | VERSION 2 |
| | 2 | 2.884-280.0 | Hand nozzle | 1.000 | ST | 0000000000 | 0000000000 | VERSION 1 |
| X-X | 3 | 4.130-115.0 | Window nozzle | 1.000 | ST | 0000000000 | 0000000000 | |
| | 4 | 4.767-059.0 | Dirt blaster black steamer | 1.000 | ST | 0000000000 | 0000000000 | |
| X | 5 | 4.130-021.0 | Point jet nozzle complete PA | 1.000 | ST | 0000000000 | 0000000000 | |
| | 6 | 2.885-142.0 | Floor tool | 1.000 | ST | | | |
| X-X | 7 | 2.884-282.0 | POWER NOZZLE | 1.000 | ST | 0000000000 | 0000000000 | |
| X-X | 8 | 2.863-058.0 | Bristle rink set | 1.000 | ST | 0000000000 | 0000000000 | |
| | 9 | 6.273-140.0 | Rubber lip | 1.000 | ST | 0000000000 | 0000000000 | |
| | 10 | 6.362-924.0 | O-Ring seal 6,02X 2,62 | 2.000 | ST | 0000000000 | 0000000000 | |
| X-X | 11 | 6.960-019.0 | Cloth set | 1.000 | ST | 0000000000 | 0000000000 | |
| | 12 | | Stockpiling discontinued | 1.000 | ST | 0000000000 | 0000000000 | |
| | 13 | 5.044-238.0 | Holder | 1.000 | ST | 0000000000 | 0000000000 | |
| | 14 | 5.044-237.0 | Holder | 1.000 | ST | 0000000000 | 0000000000 | |
| | 15 | 5.408-058.0 | Tube elbow | 1.000 | ST | 0000000000 | 0000000000 | |
| | 16 | 6.362-883.0 | O-Ring seal 18,0 X 2,5-EPDM | 1.000 | ST | 0000000000 | 0000000000 | |
| | 17 | 6.330-016.0 | Spring | 1.000 | ST | 0000000000 | 0000000000 | |
| | 18 | 6.362-881.0 | O-Ring seal 6,07X 1,78 -EPDM | 1.000 | ST | 0000000000 | 0000000000 | |
| | 19 | 5.768-038.0 | Nozzle body | 1.000 | ST | 0000000000 | 0000000000 | |
| | 20 | 5.762-237.0 | Brush insert black | 1.000 | ST | 0000000000 | 0000000000 | |
| X | 21 | 6.369-357.0 | Cloth set | 1.000 | ST | | | |

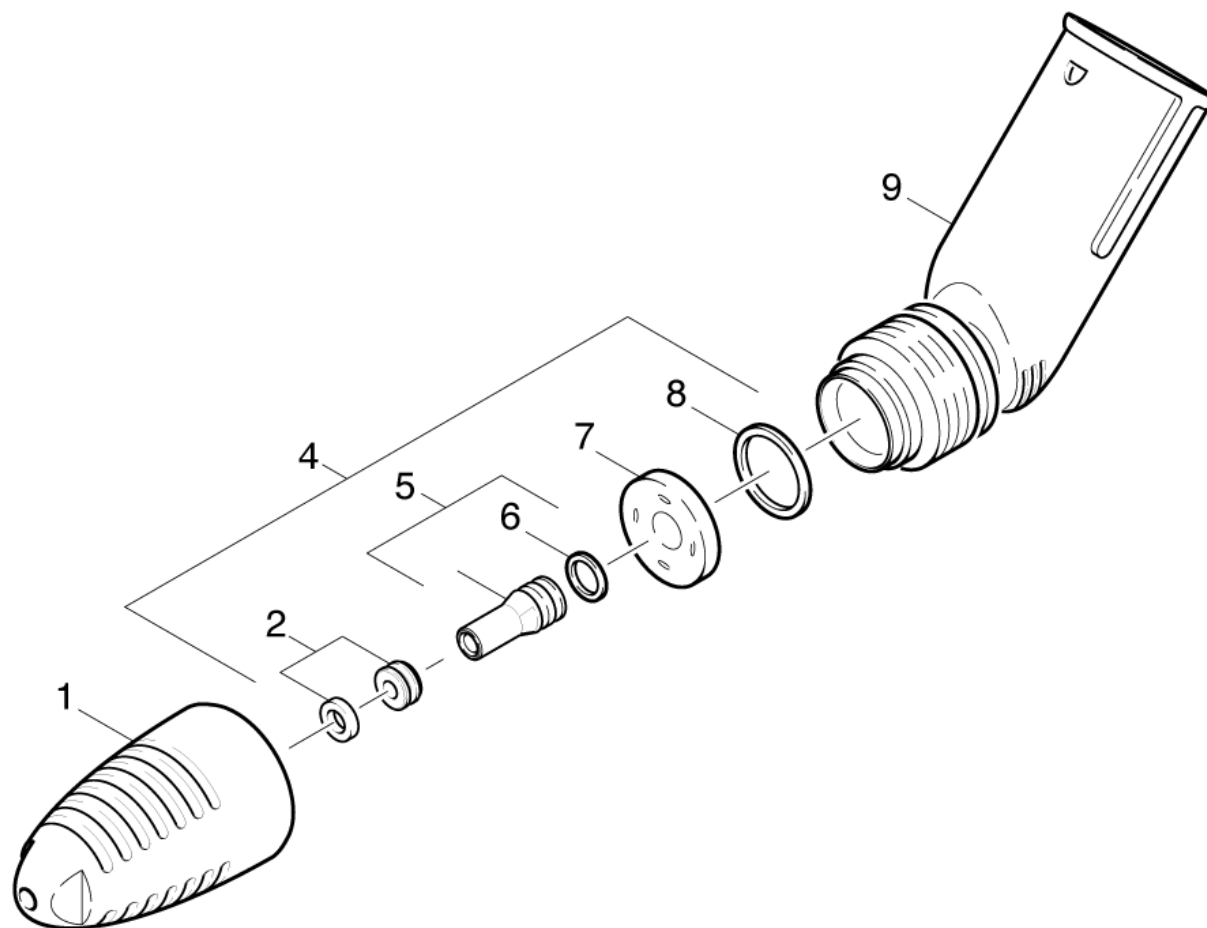
4 Dirt blaster black steamer (4.767-059.0)

| Pos | Name | Qty. | Unit | from ser.nr. | up to ser.nr. |
|-----|---------------------------------------|-------|------|--------------|---------------|
| 11 | Spare parts list dirt blaster steamer | 1.000 | ST | 0000000000 | 0000000000 |

Position text: 47670590

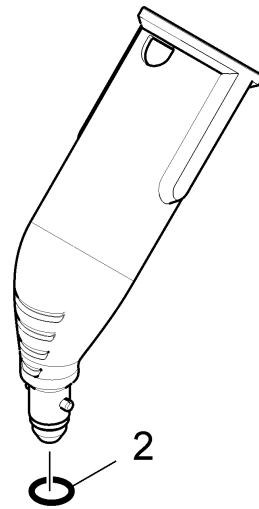
11 Spare parts list dirt blaster steamer

| Pos | Name | Qty. | Unit | from ser.nr. | up to ser.nr. |
|-----|--------------|-------|------|--------------|---------------|
| 10 | Dirt blaster | 1.000 | ST | 0000000000 | 0000000000 |



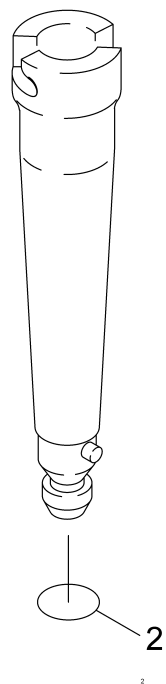
10 Dirt blaster

| ET/VT (spare/wear parts) | Pos | Material # | Name | Qty. | Unit | from ser.nr. | up to ser.nr. |
|--------------------------|-----|-------------|--|-------|------|--------------|---------------|
| | 1 | 5.063-951.0 | Cover | 1.000 | ST | 0000000000 | 0000000000 |
| X-X | 2 | 4.250-046.0 | Bearing ring only for replacement 111G | 1.000 | ST | 0000000000 | 0000000000 |
| | 4 | 4.880-034.0 | Spare part set steam nozzle rotary | 1.000 | ST | 0000000000 | 0000000000 |
| | 5 | 4.764-146.0 | Nozzle holder only for replacement | 1.000 | ST | 0000000000 | 0000000000 |
| | 6 | 6.362-528.0 | O-Ring seal 9,5 X 2,0 | 1.000 | ST | 0000000000 | 0000000000 |
| | 7 | 5.763-044.0 | Nozzle plate | 1.000 | ST | 0000000000 | 0000000000 |
| | 8 | 6.362-831.0 | O-Ring d. 22x2 NBR 90 | 1.000 | ST | 0000000000 | 0000000000 |
| | 9 | 5.408-064.0 | Tube elbow | 1.000 | ST | 0000000000 | 0000000000 |



5 Point jet nozzle complete PA (4.130-021.0)

| Pos | Material # | Name | Qty. | Unit |
|-----|-------------|------------------------|-------|------|
| 2 | 6.362-186.0 | O-Ring seal 7,65X 1,78 | 1.000 | ST |

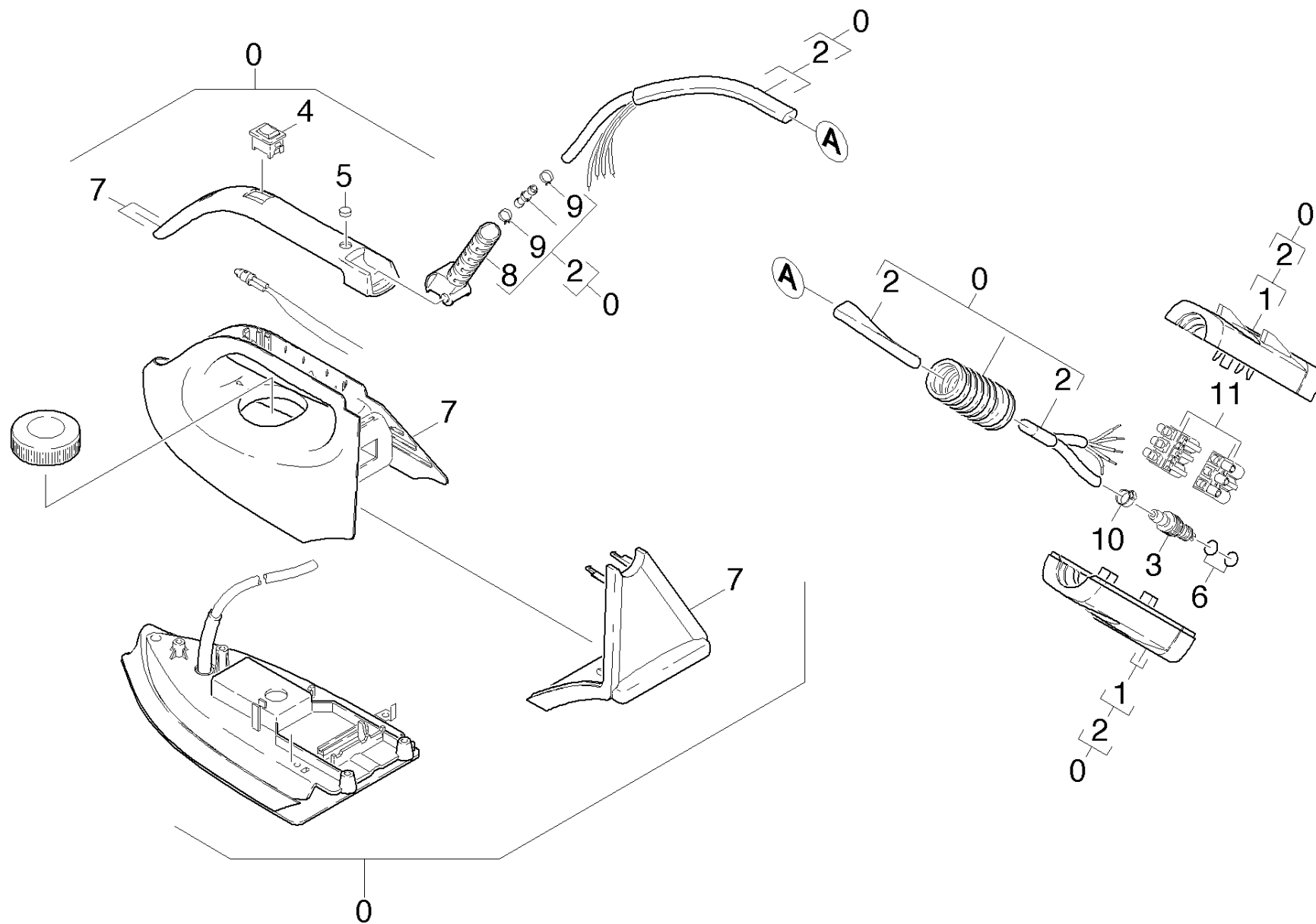


7 POWER NOZZLE (2.884-282.0)

| Pos | Material # | Name | Qty. | Unit |
|-----|-------------|------------------------|-------|------|
| 2 | 6.362-924.0 | O-Ring seal 6,02X 2,62 | 1.000 | ST |

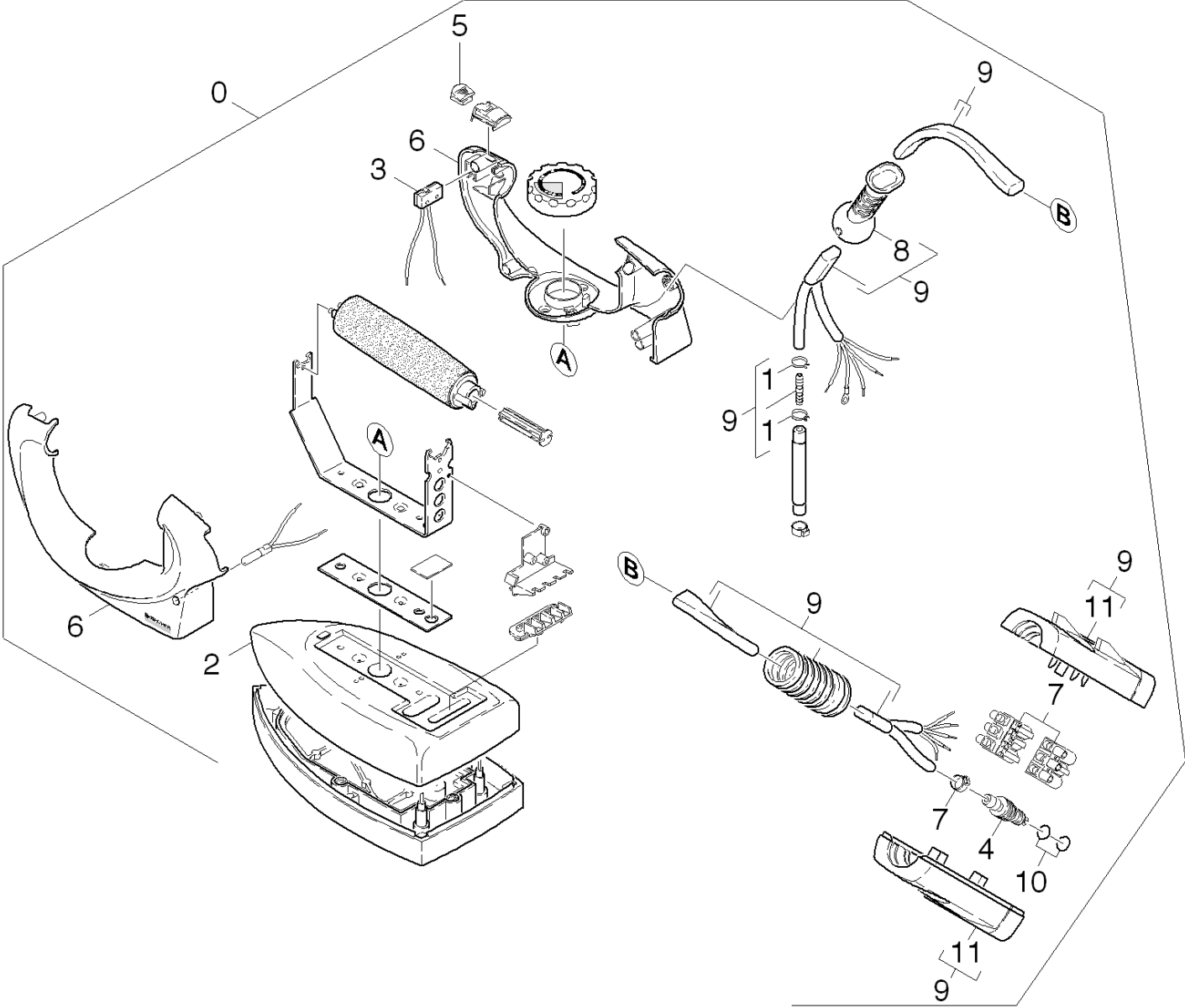
50 Smoothing iron

| Pos | Name | Qty. | Unit | from ser.nr. | up to ser.nr. | var. information |
|-----|----------------|-------|------|--------------|---------------|------------------|
| 51 | Smoothing iron | 1.000 | ST | 0000000000 | 0000000000 | VERSION 1 |
| 52 | Smoothing iron | 1.000 | ST | 0000000000 | 0000000000 | VERSION 2 |



51 Smoothing iron

| Pos | Material # | Name | Qty. | Unit | from ser.nr. | up to ser.nr. |
|--|-------------|------------------------|-------|------|--------------|---------------|
| 0 | 2.884-503.0 | BE with packing I 6002 | 1.000 | ST | 0000000000 | 0000000000 |
| Position text: / 1.439-110.0 / -111.0 / -116.0/ -113.0 | | | | | | |
| 1 | 5.032-780.0 | Plug shells | 1.000 | ST | 0000000000 | 0000000000 |
| 2 | 4.321-176.0 | Steam hose complete BE | 1.000 | ST | 0000000000 | 0000000000 |
| 3 | 5.553-339.0 | Piston | 1.000 | ST | 0000000000 | 0000000000 |
| 4 | 5.744-020.0 | Micro switch | 1.000 | ST | 0000000000 | 0000000000 |
| 5 | 5.032-476.0 | Cap | 1.000 | ST | 0000000000 | 0000000000 |
| 6 | 6.362-923.0 | O-Ring seal 6,75X 1,78 | 2.000 | ST | 0000000000 | 0000000000 |
| 7 | 4.060-546.0 | Housing complete | 1.000 | ST | 0000000000 | 0000000000 |
| 8 | 5.394-678.0 | Bend protection | 1.000 | ST | 0000000000 | 0000000000 |
| 9 | 6.992-085.0 | Clamp | 2.000 | ST | | |
| 10 | 6.389-992.0 | Hose clip | 1.000 | ST | | |
| 11 | 6.646-595.0 | Plug element yellow | 1.000 | ST | | |



52 Smoothing iron

| Pos | Material # | Name | Qty. | Unit | from ser.nr. | up to ser.nr. |
|--|-------------|--|-------|------|--------------|---------------|
| 0 | 2.884-503.0 | BE with packing I 6002 | 1.000 | ST | 0000000000 | 0000000000 |
| Position text: / 1.439-112.0 / -113.0 / -115.0/ -117.0 | | | | | | |
| 1 | 6.992-085.0 | Clamp | 2.000 | ST | 0000000000 | 0000000000 |
| 2 | | Stockpiling discontinued | 1.000 | ST | 0000000000 | 0000000000 |
| 3 | 6.992-039.0 | Micro switch | 1.000 | ST | 0000000000 | 0000000000 |
| 4 | 5.553-339.0 | Piston | 1.000 | ST | 0000000000 | 0000000000 |
| 5 | | Stockpiling discontinued | 1.000 | ST | 0000000000 | 0000000000 |
| 6 | 5.605-272.0 | Housing complete I 7002 | 1.000 | ST | 0000000000 | 0000000000 |
| 7 | 6.389-992.0 | Hose clip | 1.000 | ST | | |
| 8 | 5.394-681.0 | Bend protection | 1.000 | ST | 0000000000 | 0000000000 |
| 9 | 6.321-205.0 | Steam hose complete n.f.Ers. 30_02076880 | 1.000 | ST | 0000000000 | 0000000000 |
| 10 | 6.362-923.0 | O-Ring seal 6,75X 1,78 | 2.000 | ST | 0000000000 | 0000000000 |
| 11 | 5.032-780.0 | Plug shells | 1.000 | ST | 0000000000 | 0000000000 |

53 Smoothing iron

| ET/VT (spare/wear parts) | Pos | Material # | Name | Qty. | Unit |
|--------------------------|-----|-------------|--------------------------------------|-------|------|
| X | 1 | 4.862-004.0 | Smoothing iron plug old I 6006 | 1.000 | ST |
| X | 4 | 4.862-006.0 | Set pushbutton smoothing iron I 6006 | 1.000 | ST |
| | 6 | | Steam hose with cable old_I 6006 | 1.000 | ST |
| | 39 | 6.362-923.0 | O-Ring seal 6,75X 1,78 | 2.000 | ST |